



One Touch Thermoplastic Fittings

Convenient one touch fittings provide instant connection

Elliptical release ring suited for pneumatic installation

No special tools required for disassembly

Nickel plated brass thread ensures anti-corrosion & anti-contamination

All taper threaded fittings are pre coated with teflon sealent, no additional sealent required

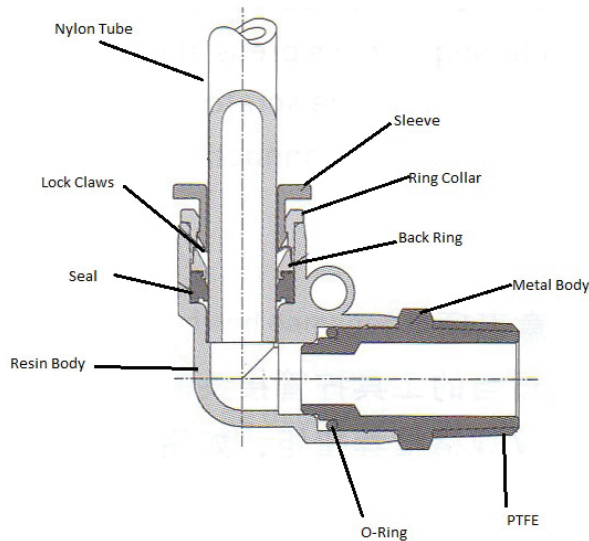


Materials

- Resin Body:** PBT
- Metal Body:** Brass Nickel Plated
- Packing:** NBR
- Back Ring:** POM
- O-Ring:** NBR
- Collar:** Nickel Plated Zinc
- Sleeve:** POM
- Locking Claw:** Stainless Steel

Specification

- Medium:** Air/Vacuum
- Pressure Range:** 10 Bar Working
- Temp Range:** -20°C to +80°C
- Applicable Tube:** Nylon PA



Equal Bulkhead Connector



Termination	Bulkhead	Part No	Price £
4mm	M12x1	P-EB-04	2.43
6mm	M14x1	P-EB-06	2.80
8mm	M16x1	P-EB-08	3.30
10mm	M20x1	P-EB-10	4.93
12mm	M22x1	P-EB-12	6.30

Equal Straights



Termination	Part No	Price £
4mm	P-ES-04	0.77
6mm	P-ES-06	0.87
8mm	P-ES-08	0.97
10mm	P-ES-10	1.37
12mm	P-ES-12	1.83

Unequal Straight



Termination	Termination	Part No	Price £
4mm	6mm	P-US-04	0.87
6mm	8mm	P-US-06	1.07
8mm	10mm	P-US-08	1.37
10mm	12mm	P-US-10	1.83

Equal Elbows



Termination	Part No	Price £
4mm	P-EE-04	0.77
6mm	P-EE-06	0.87
8mm	P-EE-08	0.97
10mm	P-EE-10	1.37
12mm	P-EE-12	1.83

Equal Tees



Termination	Part No	Price £
4mm	P-ET-04	1.07
6mm	P-ET-06	1.10
8mm	P-ET-08	1.27
10mm	P-ET-10	2.03
12mm	P-ET-12	2.43

Equal Crosses



Termination	Part No	Price £
4mm	P-EC-04	1.37
6mm	P-EC-06	1.77
8mm	P-EC-08	1.93
10mm	P-EC-10	2.80
12mm	P-EC-12	3.33

Reducing Manifold



Termination	Termination	Part No	Price £
6mm	4mm	P-RM-06-04	2.13
8mm	4mm	P-RM-08-04	2.30
8mm	6mm	P-RM-08-06	2.43
10mm	6mm	P-RM-10-06	3.43
10mm	8mm	P-RM-10-08	3.50

Reducing Manifold Male Thread BSPT



Termination	Thread	Part No	Price £
6-4mm	1/8	P-RMT-06-04-18	2.77
8-6mm	1/4	P-RMT-08-06-14	3.63
10-8mm	3/8	P-RMT-10-08-38	5.13

Male Stud BSPT



Termination	Thread	Part No	Price £
4mm	1/8	P-MT-04-18	1.00
4mm	M5	P-MM-04-M5	0.98
4mm	1/4	P-MT-04-14	1.37
6mm	M5	P-MT-06-M5	1.20
6mm	1/8	P-MT-06-18	0.93
6mm	1/4	P-MT-06-14	1.47
6mm	3/8	P-MT-06-38	2.02
6mm	1/2	P-MT-06-12	3.45
8mm	1/8	P-MT-08-18	1.47
8mm	1/4	P-MT-08-14	1.47
8mm	3/8	P-MT-08-38	1.97
8mm	1/2	P-MT-08-12	3.37
10mm	1/8	P-MT-10-18	2.12
10mm	1/4	P-MT-10-14	2.31
10mm	3/8	P-MT-10-38	2.31
10mm	1/2	P-MT-10-12	3.22
12mm	1/4	P-MT-12-14	3.07
12mm	3/8	P-MT-12-38	3.28
12mm	1/2	P-MT-12-12	3.22

Single Banjo Male BSPT & Metric



Termination	Thread	Part No	Price £
4mm	M5	P-MMB-04-M5	5.30
4mm	1/8	P-MTB-04-18	2.73
4mm	M6	P-MMB-04-M6	4.50
6mm	M5	P-MMB-06-M5	6.50
6mm	1/8	P-MTB-06-18	2.83
6mm	M6	P-MTB-06-M6	5.30
6mm	1/4	P-MTB-06-14	4.27
6mm	3/8	P-MTB-06-38	8.20
8mm	1/8	P-MTB-08-18	2.90
8mm	1/4	P-MTB-08-14	4.33
8mm	3/8	P-MTB-08-38	5.93
10mm	1/4	P-MTB-10-14	4.70
10mm	3/8	P-MTB-10-38	6.30
10mm	1/2	P-MTB-10-12	8.90
12mm	1/4	P-MTB-12-14	4.87
12mm	3/8	P-MTB-12-38	6.43
12mm	1/2	P-MTB-12-12	9.50

Male Stud BSPP



Termination	Thread	Part No	Price £
4mm	1/8	P-MP-04-18	1.54
4mm	1/4	P-MP-04-14	1.86
6mm	1/8	P-MP-06-18	1.49
6mm	1/4	P-MP-06-14	2.15
6mm	3/8	P-MP-06-38	2.66
8mm	1/8	P-MP-08-18	1.69
8mm	1/4	P-MP-08-14	2.15
8mm	3/8	P-MP-08-38	2.63
8mm	1/2	P-MP-08-12	4.43
10mm	1/8	P-MP-10-18	2.42
10mm	1/4	P-MP-10-14	2.64
10mm	3/8	P-MP-10-38	3.16
10mm	1/2	P-MP-10-12	4.05
12mm	1/4	P-MP-12-14	3.73
12mm	3/8	P-MP-12-38	3.47
12mm	1/2	P-MP-12-12	5.20

Manual Flow Controller Unidirectional BSPT



Termination	Thread	Part No	Price £
4mm	M5	P-MFMM-04-M5	4.63
4mm	1/8	P-MFMT-04-18	4.63
4mm	1/4	P-MFMT-04-14	5.27
6mm	M5	P-MFMM-06-M5	4.63
6mm	1/8	P-MFMT-06-18	4.63
6mm	M6	P-MFMM-06-M6	5.03
6mm	1/4	P-MFMT-06-14	5.27
6mm	3/8	P-MFMT-06-38	9.10
8mm	1/8	P-MFMT-08-18	4.63
8mm	1/4	P-MFMT-08-14	5.27
8mm	3/8	P-MFMT-08-38	9.10
8mm	1/2	P-MFMT-08-12	12.77
10mm	1/4	P-MFMT-10-14	5.97
10mm	3/8	P-MFMT-10-38	9.23
10mm	1/2	P-MFMT-10-12	13.10
12mm	1/4	P-MFMT-12-14	10.80
12mm	3/8	P-MFMT-12-38	5.97
12mm	1/2	P-MFMT-12-12	9.23

Female Studs BSPP



Termination	Thread	Part No	Price £
4mm	1/8	P-FS-04-18	1.65
4mm	1/4	P-FS-04-14	2.26
6mm	1/8	P-FS-06-18	1.78
6mm	1/4	P-FS-06-14	2.40
6mm	3/8	P-FS-06-38	3.29
8mm	1/8	P-FS-08-18	1.82
8mm	1/4	P-FS-08-14	2.46
8mm	3/8	P-FS-08-38	3.40
8mm	1/2	P-FS-08-12	4.14
10mm	1/8	P-FS-10-18	2.81
10mm	1/4	P-FS-10-14	2.82
10mm	3/8	P-FS-10-38	3.18
10mm	1/2	P-FS-10-12	4.44
12mm	1/4	P-FS-12-14	4.38
12mm	3/8	P-FS-12-38	4.14



One Touch Thermoplastic Fittings

Female Bulkhead Connector BSPP



Termination	Thread	Bulkhead	Part No	Price £
4mm	1/8	M12x1	P-BF-04-18	2.46
4mm	1/4	M12x1	P-BF-04-14	2.84
6mm	1/8	M14x1	P-BF-06-18	3.62
6mm	1/4	M14x1	P-BF-06-14	4.11
6mm	3/8	M14x1	P-BF-06-38	4.90
6mm	1/2	M14x1	P-BF-06-12	11.80
8mm	1/8	M16x1	P-BF-08-18	5.19
8mm	1/4	M16x1	P-BF-08-14	5.32
8mm	3/8	M16x1	P-BF-08-38	7.11
8mm	1/2	M16x1	P-BF-08-12	13.30
10mm	1/8	M20x1	P-BF-10-18	13.30
10mm	1/4	M20x1	P-BF-10-14	8.18
10mm	3/8	M20x1	P-BF-10-38	8.32
10mm	1/2	M20x1	P-BF-10-12	8.73
12mm	1/4	M22x1	P-BF-12-14	8.73
12mm	3/8	M22x1	P-BF-12-38	8.73
12mm	1/2	M22x1	P-BF-12-12	10.37

Male Stud Swivel Elbow BSPP



Termination	Thread	Part No	Price £
4mm	1/8	P-MPE-04-18	1.68
4mm	1/4	P-MPE-04-14	2.21
6mm	3/8	P-MPE-06-18	1.97
6mm	1/4	P-MPE-06-14	2.36
6mm	3/8	P-MPE-06-38	3.01
8mm	1/8	P-MPE-08-18	2.09
8mm	1/4	P-MPE-08-14	2.64
8mm	3/8	P-MPE-08-38	3.33
8mm	1/2	P-MPE-08-12	5.00
10mm	1/8	P-MPE-10-18	3.19
10mm	1/4	P-MPE-10-14	3.30
10mm	3/8	P-MPE-10-38	3.92
10mm	1/2	P-MPE-10-12	5.71
12mm	1/4	P-MPE-12-14	4.67
12mm	3/8	P-MPE-12-38	4.67
12mm	1/2	P-MPE-12-12	5.79

Male Stud Swivel Elbow BSPT



Termination	Thread	Part No	Price £
4mm	M5	P-MME-04-M5	1.22
4mm	1/8	P-MTE-04-18	1.22
4mm	1/4	P-MTE-04-14	1.83
6mm	M5	P-MTE-06-M5	1.45
6mm	1/8	P-MTE-06-18	1.50
6mm	1/4	P-MTE-06-14	1.77
6mm	3/8	P-MTE-06-38	2.31
6mm	1/2	P-MTE-06-12	3.71
8mm	1/8	P-MTE-08-18	1.87
8mm	1/4	P-MTE-08-14	1.97
8mm	3/8	P-MTE-08-38	2.60
8mm	1/2	P-MTE-08-12	3.73
10mm	1/8	P-MTE-10-18	2.95
10mm	1/4	P-MTE-10-14	3.07
10mm	3/8	P-MTE-10-38	3.07
10mm	1/2	P-MTE-10-12	4.37
12mm	1/4	P-MTE-12-14	4.23
12mm	3/8	P-MTE-12-38	4.30
12mm	1/2	P-MTE-12-12	4.53

Male Stud Swivel Elbow Extended BSPT



Termination	Thread	Part No	Price £
4mm	M5	P-MMEE-04-M5	1.93
4mm	1/8	P-MTEE-04-18	1.61
6mm	M5	P-MMEE-06-M5	2.43
6mm	1/8	P-MTEE-06-18	2.14
6mm	M6	P-MTEE-06-M6	2.43
6mm	1/4	P-MTEE-06-14	2.67
8mm	1/8	P-MTEE-08-18	2.93
8mm	1/4	P-MTEE-08-14	2.93
10mm	1/8	P-MTEE-10-18	4.98
10mm	1/4	P-MTEE-10-14	5.03
12mm	1/4	P-MTEE-12-14	8.23
12mm	3/8	P-MTEE-12-38	7.63

Male Stud Swivel Elbow Extended BSPP



Termination	Thread	Part No	Price £
4mm	1/8	P-MPEE-04-18	2.66
4mm	1/4	P-MPEE-04-14	3.68
6mm	1/8	P-MPEE-06-18	2.88
6mm	1/4	P-MPEE-06-14	3.82
6mm	3/8	P-MPEE-06-38	4.91
8mm	1/8	P-MPEE-08-18	3.24
8mm	1/4	P-MPEE-08-14	4.15
8mm	3/8	P-MPEE-08-38	5.43
10mm	1/8	P-MPEE-10-18	5.66
10mm	1/4	P-MPEE-10-14	5.50
10mm	3/8	P-MPEE-10-38	6.59
12mm	3/8	P-MPEE-12-38	8.98

Male Run Leg Swivel Tee BSPT



Termination	Thread	Part No	Price £
4mm	M5	P-TMTR-04-M5	1.54
4mm	1/8	P-TMTR-04-18	1.54
6mm	1/8	P-TMTR-06-18	1.91
6mm	1/4	P-TMTR-06-14	2.21
6mm	3/8	P-TMTR-06-38	2.79
8mm	1/8	P-TMTR-08-18	2.37
8mm	1/4	P-TMTR-08-14	2.43
8mm	3/8	P-TMTR-08-38	3.03
10mm	1/8	P-TMTR-10-18	3.27
10mm	1/4	P-TMTR-10-14	3.43
10mm	3/8	P-TMTR-10-38	3.43
12mm	3/8	P-TMTR-12-38	4.73
12mm	1/2	P-TMTR-12-12	4.89

Male Centre Leg Swivel Tee BSPP



Termination	Thread	Part No	Price £
4mm	1/8	P-TMPCL-04-18	1.95
4mm	1/4	P-TMPCL-04-14	2.39
6mm	1/8	P-TMPCL-06-18	2.25
6mm	1/4	P-TMPCL-06-14	2.59
6mm	3/8	P-TMPCL-06-38	3.15
8mm	1/8	P-TMPCL-08-18	2.43
8mm	1/4	P-TMPCL-08-14	2.88
8mm	3/8	P-TMPCL-08-38	3.54
8mm	1/2	P-TMPCL-08-12	4.98
10mm	1/8	P-TMPCL-10-18	3.76
10mm	1/4	P-TMPCL-10-14	3.92
10mm	3/8	P-TMPCL-10-38	4.43
12mm	1/4	P-TMPCL-12-14	5.14
12mm	3/8	P-TMPCL-12-38	5.20
12mm	1/2	P-TMPCL-12-12	6.19

Equal Y



Termination	Part No	Price £
4mm	P-EY-04	1.07
6mm	P-EY-06	1.12
8mm	P-EY-08	1.27
10mm	P-EY-10	2.03
12mm	P-EY-12	2.43

Male Stud Swivel Y BSPT



Termination	Thread	Part No	Price £
4mm	1/8	P-YMT-04-18	1.54
6mm	1/8	P-YMT-06-18	1.91
6mm	1/4	P-YMT-06-14	2.21
6mm	3/8	P-YMT-06-18	2.79
8mm	1/8	P-YMT-08-18	2.37
8mm	1/4	P-YMT-08-14	2.43
8mm	3/8	P-YMT-08-38	3.03
8mm	1/2	P-YMT-08-12	4.23
10mm	1/8	P-YMT-10-18	3.27
10mm	1/4	P-YMT-10-14	3.43
10mm	3/8	P-YMT-10-38	3.43
10mm	1/2	P-YMT-10-12	4.73
12mm	1/4	P-YMT-12-14	4.73
12mm	3/8	P-YMT-12-38	4.89
12mm	1/2	P-YMT-12-12	4.89

Male Centre Leg Swivel Tee BSPT



Termination	Thread	Part No	Price £
4mm	M5	P-TMTCL-04-M5	1.54
4mm	1/8	P-TMTCL-04-18	1.54
4mm	1/4	P-TMTCL-04-14	2.16
6mm	M5	P-TMTCL-06-M5	1.86
6mm	1/8	P-TMTCL-06-18	1.91
6mm	1/4	P-TMTCL-06-14	2.21
6mm	3/8	P-TMTCL-06-38	2.79
6mm	1/2	P-TMTCL-06-12	4.13
8mm	1/8	P-TMTCL-08-18	2.37
8mm	1/4	P-TMTCL-08-14	2.43
8mm	3/8	P-TMTCL-08-38	3.03
8mm	1/2	P-TMTCL-08-12	4.23
10mm	1/8	P-TMTCL-10-18	3.27
10mm	1/4	P-TMTCL-10-14	3.43
10mm	3/8	P-TMTCL-10-38	3.43
10mm	1/2	P-TMTCL-10-12	4.73
12mm	1/4	P-TMTCL-12-14	4.73
12mm	3/8	P-TMTCL-12-38	4.89
12mm	1/2	P-TMTCL-12-12	4.89

Stem Y Reducer



Termination	Stem	Part No	Price £
4mm	6mm	P-SY-04-06	1.86
6mm	8mm	P-SY-06-08	2.29
8mm	10mm	P-SY-08-10	3.61

Tube Reducer



Stem	Termination	Part No	Price £
6mm	4mm	P-TR-06-04	1.37
8mm	4mm	P-TR-08-04	1.47
8mm	6mm	P-TR-08-06	1.59
10mm	6mm	P-TR-10-06	1.75
10mm	8mm	P-TR-10-08	2.06
12mm	8mm	P-TR-12-08	2.11
12mm	10mm	P-TR-12-10	2.65

Stem Y



Termination	Stem	Part No	Price £
4mm	4mm	P-SY-04	1.78
6mm	6mm	P-SY-06	2.27
8mm	8mm	P-SY-08	2.75
10mm	10mm	P-SY-10	4.54
12mm	12mm	P-SY-12	5.81

Stem Elbow



Termination	Stem	Part No	Price £
4mm	4mm	P-SE-04	1.30
6mm	6mm	P-SE-06	1.58
8mm	8mm	P-SE-08	2.50
10mm	10mm	P-SE-10	3.40
12mm	12mm	P-SE-12	5.11

Un-Equal Y



Termination	Thread	Part No	Price £
6mm	4mm	P-UY-06-04	1.32
8mm	6mm	P-UY-08-06	1.42
10mm	8mm	P-UY-10-08	1.83
12mm	10mm	P-UY-12-10	2.39

Manual Shut Off Valve Tube x Tube



Termination	Termination	Part No	Price £
6mm	6mm	P-MSV-06-06	6.80
8mm	6mm	P-MSV-08-06	7.20
8mm	8mm	P-MSV-08-08	7.20

Manual Shut Off Valve Tube x BSPT



Termination	Thread	Part No	Price £
6mm	1/8	P-MT-MSV-06-18	7.74
6mm	1/4	P-MT-MSV-06-14	8.57
8mm	1/4	P-MT-MSV-08-14	9.98
8mm	3/8	P-MT-MSV-08-38	11.15



One Touch Thermoplastic Fittings

Male Run Leg Swivel Tee BSPP



Termination	Thread	Part No	Price £
6mm	1/8	P-TMPR-06-18	2.23
6mm	1/4	P-TMPR-06-14	2.60
8mm	1/4	P-TMPR-08-14	2.90

Tube Plug



Termination	Part No	Price £
4mm	P-TP-04	1.00
6mm	P-TP-06	1.20
8mm	P-TP-08	1.30
10mm	P-TP-10	1.80
12mm	P-TP-12	2.30

Plug



Termination	Part No	Price £
4mm	P-P-04	0.41
6mm	P-P-06	0.41
8mm	P-P-08	0.46
10mm	P-P-10	0.51
12mm	P-P-12	1.22

Reducer



Termination	Termination	Part No	Price £
6mm	4mm	P-R-06-04	0.83
8mm	4mm	P-R-08-04	1.04
8mm	6mm	P-R-08-06	1.04
10mm	6mm	P-R-10-06	1.31
10mm	8mm	P-R-10-08	1.31
12mm	8mm	P-R-12-08	1.66
12mm	10mm	P-R-12-10	1.66

Equal Double Joint Adaptor



Termination	Part No	Price £
4mm	P-EA-04	3.50
6mm	P-EA-06	3.85
8mm	P-EA-08	3.50
10mm	P-EA-10	4.20
12mm	P-EA-12	5.60

Manual Shut off Valve BSPT x BSPT



Thread	Thread	Part No	Price £
1/4	1/4	MT-MSV-14	6.50
3/8	3/8	MT-MSV-38	7.18
1/2	1/2	MT-MSV-12	7.84

Manual Flow Controller Unidirectional Straight



Termination	Part No	Price £
4mm	P-MFC-04	4.23
6mm	P-MFC-06	5.13
8mm	P-MFC-08	6.20
10mm	P-MFC-10	9.77
12mm	P-MFC-12	12.90